

# FieldCommander® technology: Hardware Platform-8

High Computing Power with clear display.  
The FChwp8 is the perfect hardware platform for applications where a user interface is a requirement and a PC is not an option due to reliability, cost, and support issues. FChwp8 supports the FieldCommander software, including the embedded browser and touchscreendriver.  
Its reliable design guarantees a longtime use.



### Powerful hardware

- powerful AMD Geode CPU
- solid state harddisk
- fanless operation



### Reliable quality

- strong and compact plastic casing
- Vesa 100/75 wall (rear) mounting.
- anti vibration – Up to 1,5G
- anti shock – Up to 10G
- operating temperature – 0~50C
- Embedded storage – CompactFlash disk



### Options.

- Power supply 230V
- wall- or panel mount option
- door phone set
- larger flash disk

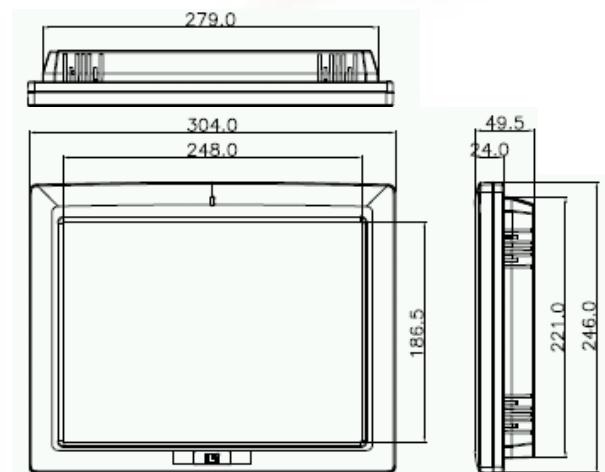


12,1" version

8,4" version

## Technical Specifications 12,1" (10,4"/8,4") version

<b>Processor</b>	AMD Geode LX-800 500MHz
<b>Display</b>	12,1(10,4/8,4)" TFT LCD resolution 1024x768 (1024x768/800x600) with touchscreen; IP64
<b>Memory</b>	256 MB RAM + 4GB flashdisk
<b>Network port</b>	2x 10/100Base-T Ethernet, auto detect. RJ-45 CAT5 cable included
<b>USB</b>	2x USB2.0
<b>Mechanical</b>	ABS plastic + aluminium casing, VESA, wall or panel mount option, WxDxH: 30,5x5x25 (23x4,2x18)cm Weight: 1,,8(0,8) kg
<b>RS-232 ports</b>	2x RS-232 serial ports (EIA/TIA-232-C)
Interface	D-sub 9 pins, (EIA/TIA-574)
Connector	50 ~ 115K2 bps
Baud rate	5, 6, 7 or 8
Data bits	
<b>I/O</b>	
Audio	Audio Out (integrated LS 1,5W); Audio Line In
Connector	1x mini-PCI
<b>Power</b>	Powersupply 12V DC In; ca. 20W



from Device to Enterprise



CER International bv  
Postbus 258  
NL-4700 AG Roosendaal  
Tel.: +31(0)165-557417  
Fax: +31(0)165-562151  
www.CER.com  
info@CER.com

V2010-b