

EWS1700: compact Embedded Windows System

Highlights

EWS1700 is a compact but complete controller for installing Windows applications:

- * complete hardware
- * complete fanless box/enclosure
- * complete OS-software (Windows Embedded Standard)
 - Componentized Windows® XP Pro
 - Win XP Driver compatibility
 - Win XP Application compatibility

Windows is used often. The EWS1700 makes it even easier for you, supporting you with a low-cost complete windows embedded system.



Platform for e-Applications.

If you want to create a Windows application server, a domotica controller (HomeSeer) or just an easy extra Internet browser, you can probably create it on an EWS1700 device.

Reliable, flexible and easy to use

If your application requires a Windows compatible platform or extra user-interface design, we suggest you to select the EWS1700 device.

Windows is a registered trademark of Microsoft Corp.



Software

- Based on Windows Embedded Standard software (=WinXPe) (not for desktop use)
- with .NET framework 3.0 support



Hardware

- Based on the compact FieldCommander HW10C-platform. Please check the HWP10 datasheet for more detailed info. Usercontrol based on serial console.



Hardware accessories.

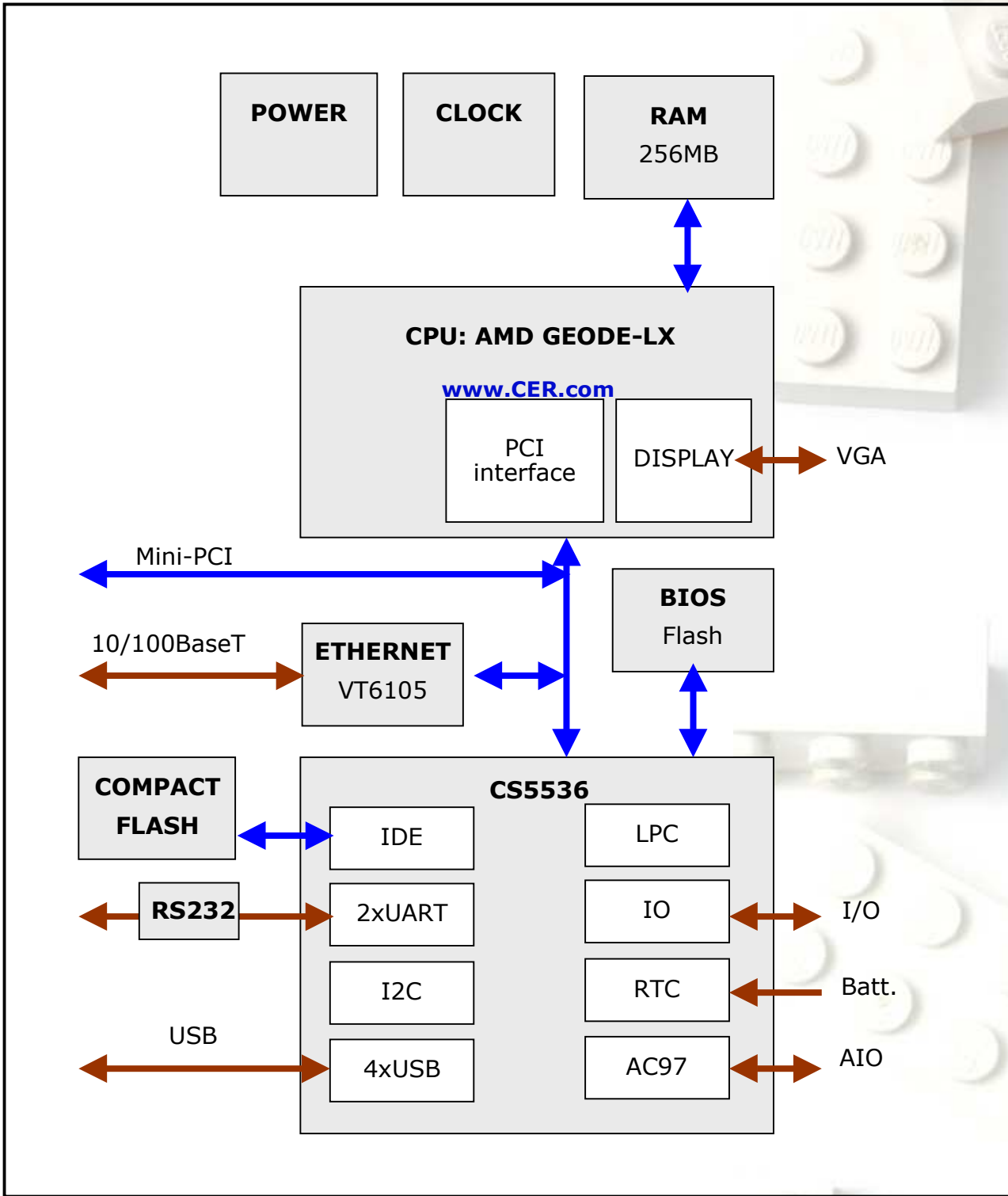
- DIN rail mounting clips



Options.

- Powersupply
- WiFi extension 11/54Mbps
- keyboard (USB)
- mouse (USB)
- videomonitor (VGA)
- larger flash disk

EWS1700: the hardware



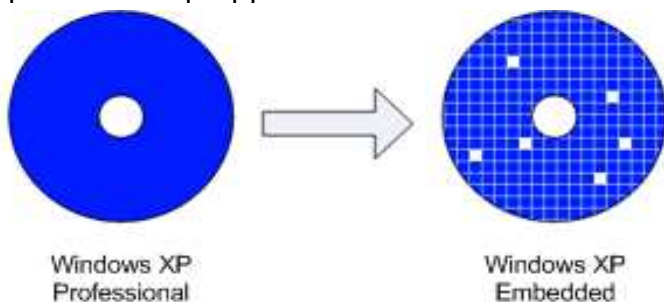
Hardware

The schematic diagram of the EWS1700 hardware.

EWS1700: the software

Windows Embedded Standard=WinXP embedded SP2 F.Pack 2008

Windows XP Embedded is a specialized operating system, consisting of componentized Windows XP Professional features and an end-to-end set of development tools, for use in non-personal computer (non-desktop) devices. Windows XP Embedded contains all of the features, functionality, and familiarity of WinXP Prof. and is typically used by embedded developers, system integrators, and Original Equipment Manufacturers (OEMs). WinXPe is NOT for general purpose desktop applications !



Licensing 1 Run Time image

A serialized label; the COA (Certificate of Authenticity) is affixed to the device. One Runtime Product Key is provided in the COA package, and one COA is provided per run-time license. An End User License Agreement (EULA) is part of the product and as the terms and conditions must be passed on to the end user, the EULA needs to be shipped together with the EWS1700.



Long life cycle

- WinXPe is available for many years.



Multi language

- ability to create multi-lingual platforms



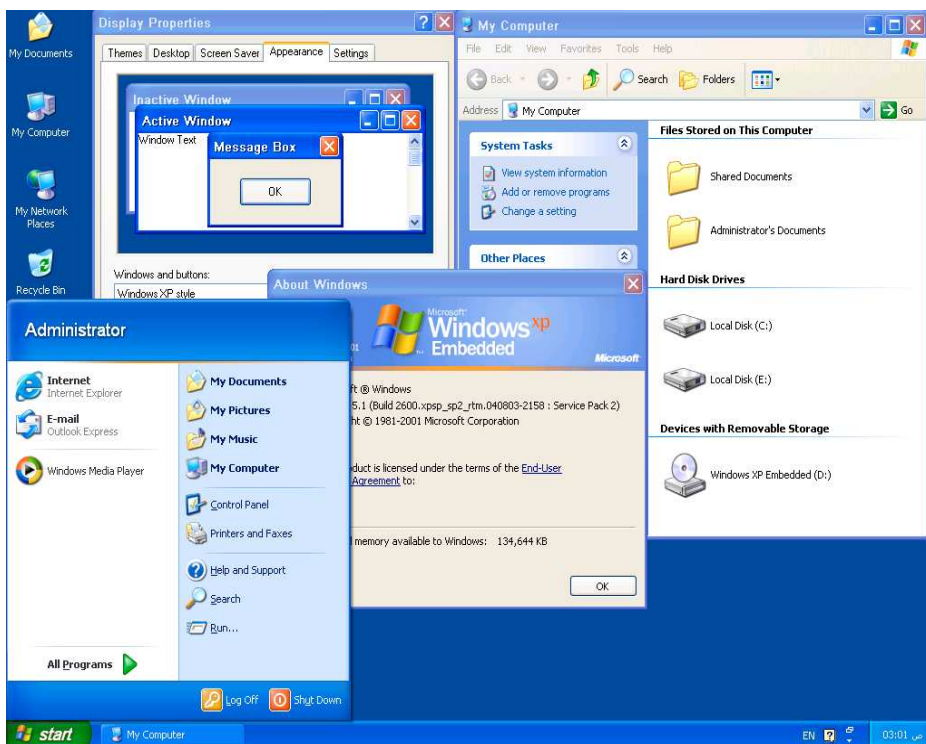
Content

- XPe SP2 FP2008 with ability to install existing win32 applications.



Tools

- Internet Explorer® 7
- Media® Player 11
- Remote Desktop Conn. 6.0
- .NET Framework 3.0



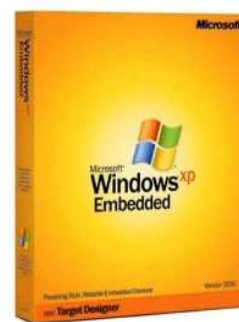
Brandlabeling

If an OEM Customer wishes to market and distribute an EWS1700 System under their own brand name, CER submits a Third Party Brand Names Agreement. MS requires that each TPB Agreement request must be approved in writing prior to use.

Order info

EWS1700
FCPwr10
FCPwr10UK

EWS1700; compact Embedded Windows System
Powersupply HWP10/11 (euro)
Powersupply HWP10/11 (UK)



from Device to Enterprise

CER[®]

CER International bv
Postbus 258
NL-4700 AG Roosendaal
Tel.: +31(0)165-557417
Fax: +31(0)165-562151
www.CER.com
info@CER.com

V2010-b